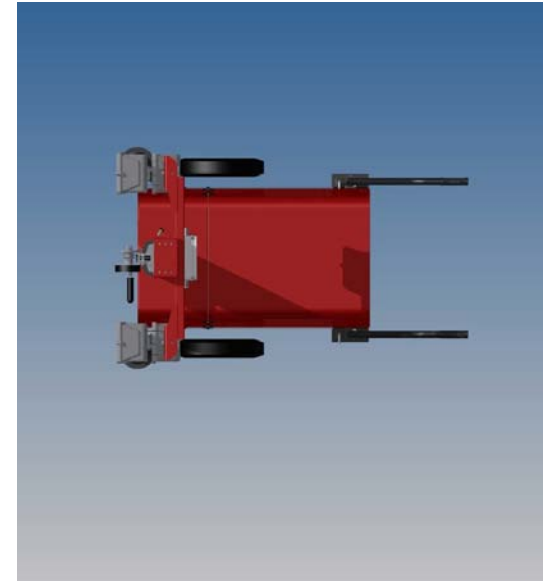
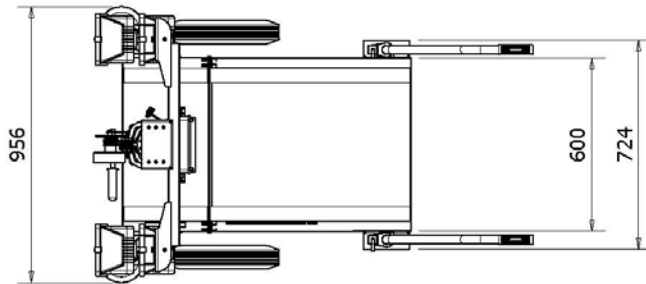
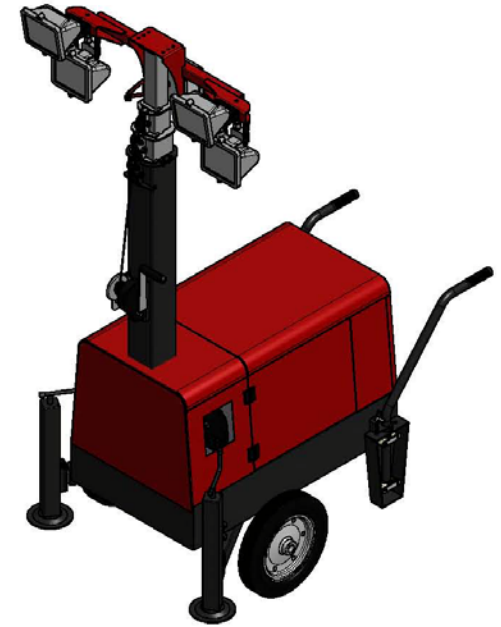
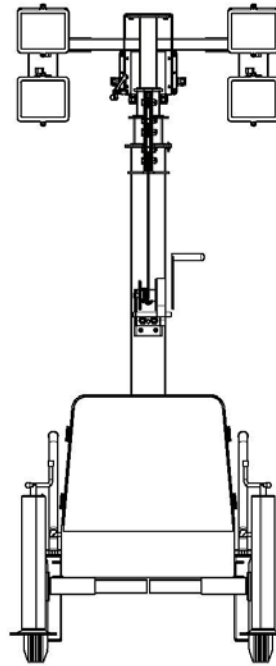
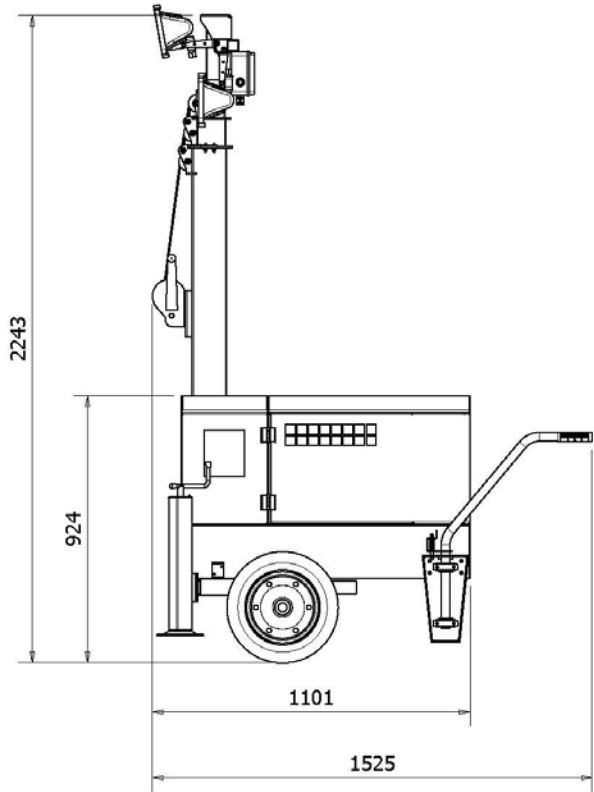


**TF IM Y 5.5 L-2x300**

**TF IM Y 5.5 J-4x400**





## LOGISTIC

MINIMUM DIMENSIONS, transport mode:

Length: 1100 mm

Width: 820 mm

Width of the headlights/stabilizer: 956 mm

Proposal NUMBER OF UNITS that can be placed on:

Container 20' (min/max): 12/14

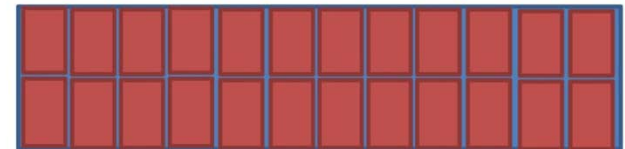
Container 40' (min/max): 24/28

Truck (min/max): 28/32

				Numero Torri	
<b>Container 20'</b>	Lunghezza	5860	min	12	
	Larghezza	2310	max	14	



				Numero Torri	
<b>Container 40'</b>	Lunghezza	12010	min	24	
	Larghezza	2300	max	28	

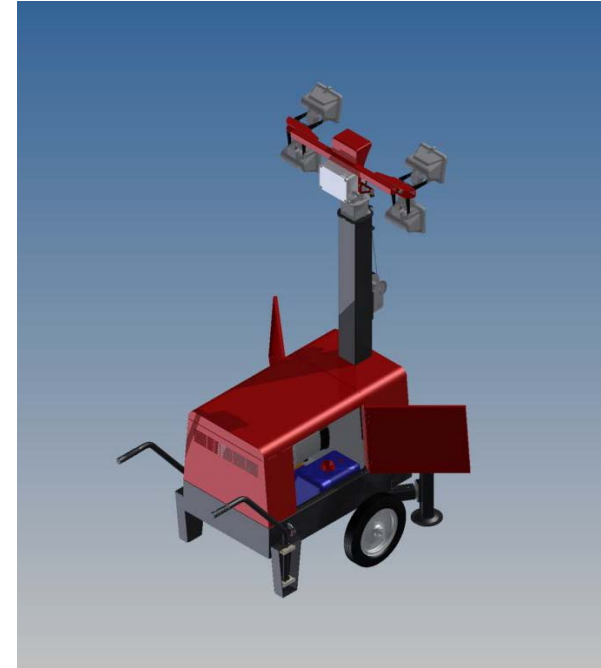


				Numero Torri	
<b>Bilico Telonato</b>	Lunghezza	13600	min	28	
	Larghezza	2400	max	32	

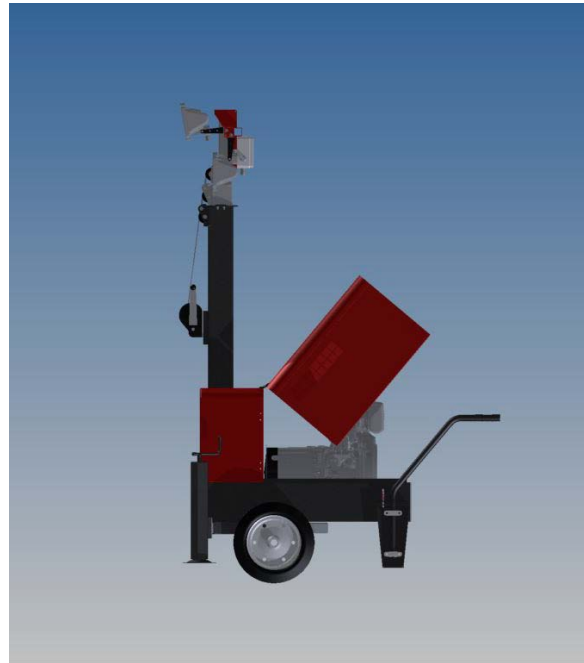
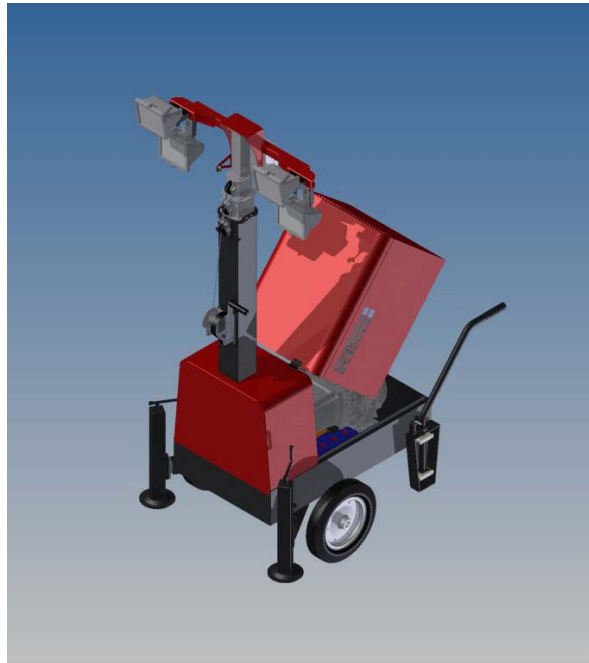


Proposal technical features	TF IM Y 5.5 L-2x300	TF IM Y 5.5 J-4x400
<b>Engine</b>	Yanmar L70 Electric starter	
Tank capacity	23 lt with fluid collection	
Running time	30 hours	19 hours
Level of noise (Lwa)	93 dbA	
<b>Mast</b>	5,5 mt	
Lifting system	Manual with pulley	
Construction material	Zinc plated steel	
Rotation	No	
<b>Lamp type</b>	LED	Metal halide
Power	2x300 W	4x400 W
Illuminated area	1.600 mq (25 lux average)	1.800 mq (19 lux average)
Lumen	62.000	140.000
<b>Available power</b>	2,5 kW	1,5 kW
<b>Generating sets</b>	4,2 kVA - 230 V - 50 Hz - 3000 giri	
<b>Output socket</b>	1 x 16 A 230 V 2P + T CEE	
<b>Manual trolley</b>	Standard and similar to TF NM 5.5	
<b>Dimensions min (cm)</b>	96 x 110 x 220 cm	
<b>Dimensions max (cm)</b>	145 x 190 x 550 cm	
<b>Certified wind proof</b>	Up to 80 km/h	
<b>Weight (kg)</b>	250 kg	260 kg

LAY-OUT N. 1: SITE DOORS



## LAY-OUT N. 2: CANOPY WITH GAS SPRING



Maahantuoja:



Masalantie 357, 02430 Masala  
Puh. 09-221 9370, Fax. 09-297 5859  
[www.endehitsi.fi](http://www.endehitsi.fi)